



# IndustrialQUIP

## **SPECIFICATION SHEET FOR MODEL 4414T TRAILER MOUNTED TRASH PUMP VACUUM ASSISTED, HEAVY DUTY SOLIDS HANDLING PUMP**



### **PUMP SPECIFICATIONS**

Size	4" X 4" AISI 125# flanges
Wear Ring	ASTM A48 class 30 cast iron
Volute Casing	ASTM A48 class 30 cast iron
Backplate	ASTM A48 class 30 cast iron
Mechanical Seal	Tungsten vs. Silicon Carbide seal faces, Viton elastomers, 300 series stainless steel hardware & spring, seal system designed for dry indefinite running
Impeller	Enclosed type, two vane, non clog, w/3 inch spherical solids handling capability. Cast Iron
Bearing Housing	ASTM A48 class 30 cast iron
Pump-end Bearing	Single row ball – 6309-C3
Drive-end Bearing	Single row ball – 6309-C3
Shaft	1144 Stressproof steel
Lip Seals	CR type, single lip
Discharge check valve	Swing type, ductile iron w/Buna-N disc

### **PRIMING**

Priming System	Haldex 1300 Series compressor. Lubricated by engine oil and cooled by engine water
Separator Spool	Standard steel
Air/Water Chamber	Chamber designed to separate air and water before entering the pump case
Venturi	Constructed of non-corrosive bronze
Optional Priming	50 CFM diaphragm vacuum pump

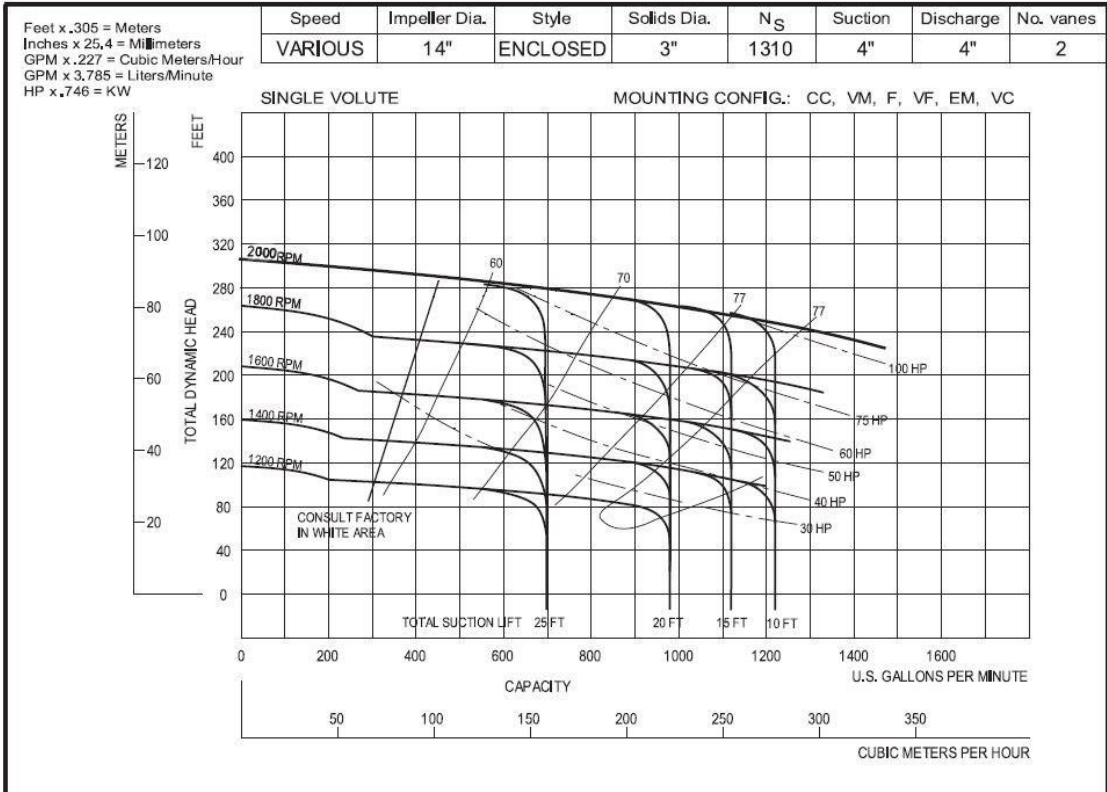
### **ENGINE SPECIFICATIONS**

Model	John Deere Model 4045HF285
Horsepower	140 intermittent horsepower @ 2400 RPM four cylinder, four cycle, water cooled diesel engine, Flexed Tier 3
Governor	Electronic
Fuel Consumption	7.07 Gallons Per Hour @ Max RPM
Safety Shut Down	Low Oil Pressure, High Temperature and V-Belt Failure
Instrument Panel	Lofa CP750 auto start control Final Tier 4 Option Available

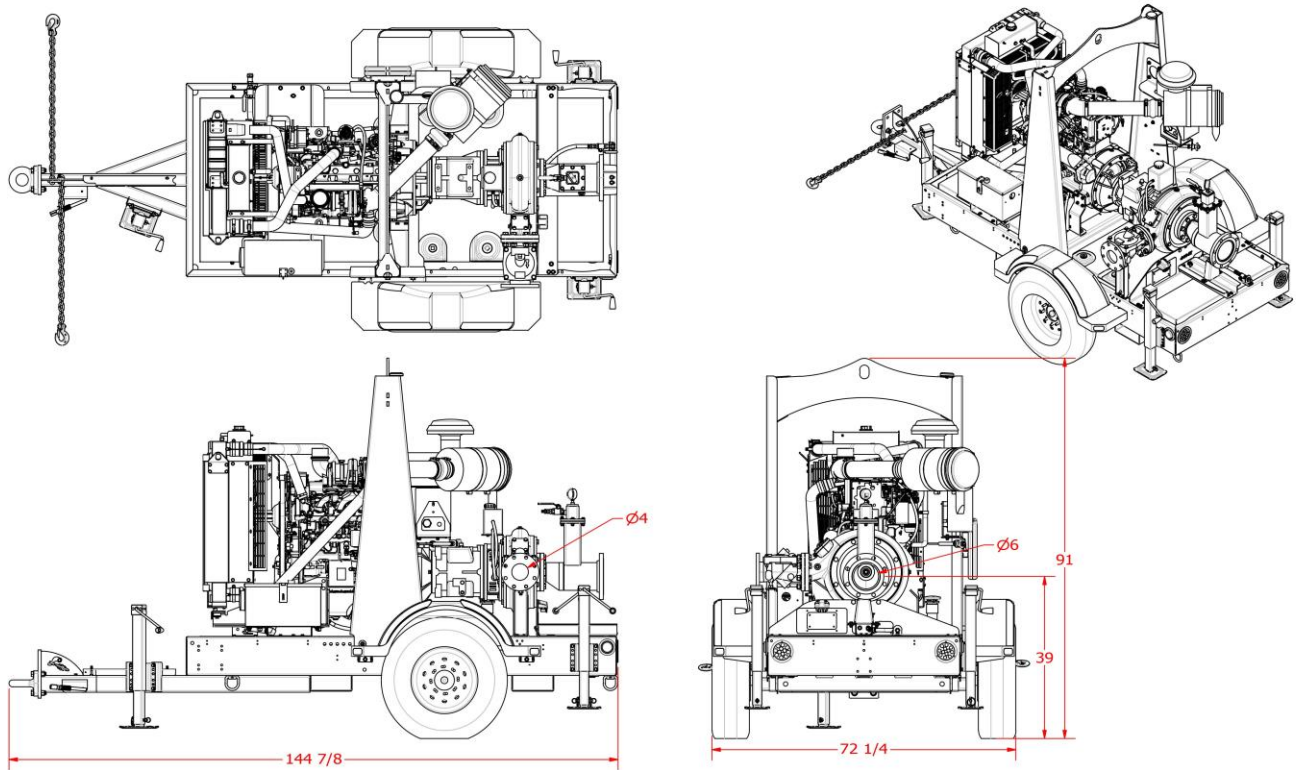
### **STANDARD TRAILER**

Frame	Heavy duty, powder coated fabricated steel frame with lifting bale
Fuel Tank	120 gallon HDPE fuel cell
Axel	6000# Torsion Flex
Brakes	Electric with DOT lighting package

# PERFORMANCE CURVE



# DIMENSIONAL DRAWINGS



1814 Holly Road

Corpus Christi, TX 78417 USA

Tel 361.850.4343

[www.industrialquip.com](http://www.industrialquip.com)